

## The Built-In Umbrella Holder

### THE IDEA

Umbrellas are associated with relaxation, while set-up and take-down is anything but.

The idea behind Deck'Umbs is to eliminate big, bulky umbrella stands, free up your deck space, and offer an easy-to-assemble solution. Some umbrella stands weigh up to 300 lbs. and have to sit on your deck all winter because they can't be moved, and even with all that weight, the wind will still tip over both the umbrella and stand.

A secure, weather-resistant, and unobtrusive solution is now available!

### THE PRODUCT

Deck'Umbs is an umbrella holder that is installed in decks of all materials (wood, composite material, concrete, and more). Its unique and patented locking design ensures it is stable and secure. It is unobtrusive, so when it is not in use, the full area of the deck can be enjoyed again. The materials are weather-resistant, so there is almost nothing to store in the winter.

Simple, secure, and easy to assemble, Deck'Umbs gives you back the space and time to truly enjoy your deck.

\* PATENT AND TRADEMARK PENDING

## Features

### Materials

Corrosion & Weather-Resistant  
Stainless Steel

### Styles

Three: Standard, Corner, Concrete

### Where to install

Wooden decks, composite material  
decks, patios, concrete pool decks

### Sizes Available

Able to support umbrellas up to 1.5"  
in diameter

### Weight

Less than 5 lbs without the umbrella!

This is 50 - 300 lbs. lighter than  
standard umbrella stands

### Ease of Use

More deck space  
Easy to store  
Works with standard &  
cantilever umbrellas  
Set up in less than 2 minutes

### Before

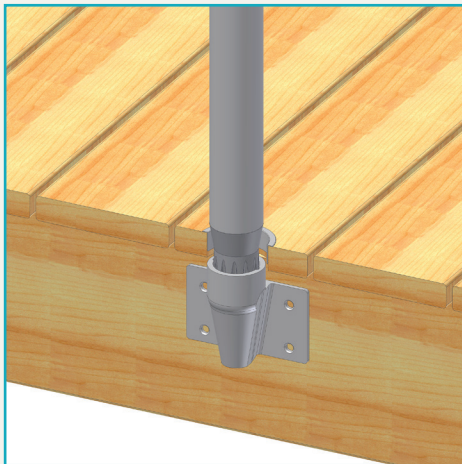


### After



# Built-In Umbrella Holder

## SPECIFICATIONS



### Standard

Standard model designed for placement along any joist on the deck.

#### Installation

Easily lag or bolted to joists

Easy installation on new decks or retrofitted to existing decks

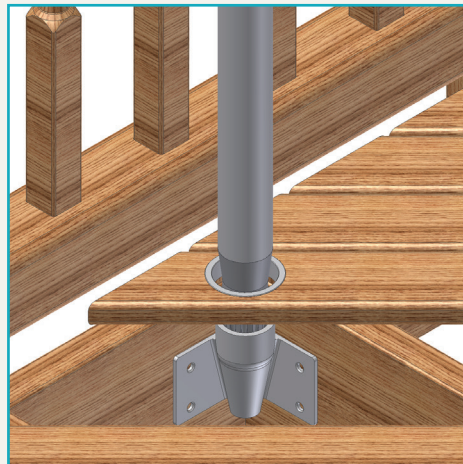
#### Weather-Resistant

Built-in draining system ensures no water build-up

Corrosion-resistant stainless steel ensures long life

#### Availability

Available in complete kits or individually



### Corner

Corner model designed for placement in the corner of decks, to ensure a snug fit.

#### Installation

Easily lag or bolted to joists

Easy installation on new decks or retrofitted to existing decks

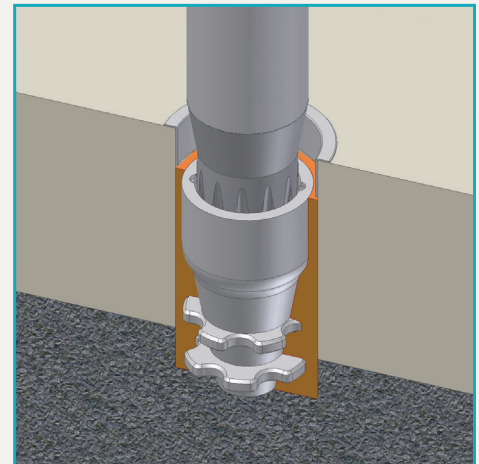
#### Weather-Resistant

Built-in draining system ensures no water build-up

Corrosion-resistant stainless steel ensures long life

#### Availability

Available in complete kits or individually



### Concrete

Concrete model can be installed in patios or pool aprons. Great for maximizing placement options!

#### Installation

Simple installation in concrete for permanent, stable placement

#### Uses

Besides umbrellas, deck'umbs can be used for temporary railings, umbrella clotheslines, and so much more!

#### Availability

Available in complete kits or individually



Upright Accessories Inc.  
Dundas, Ontario  
[www.deckumbs.com](http://www.deckumbs.com)  
Online Store: [uprightaccessories.com](http://uprightaccessories.com)