



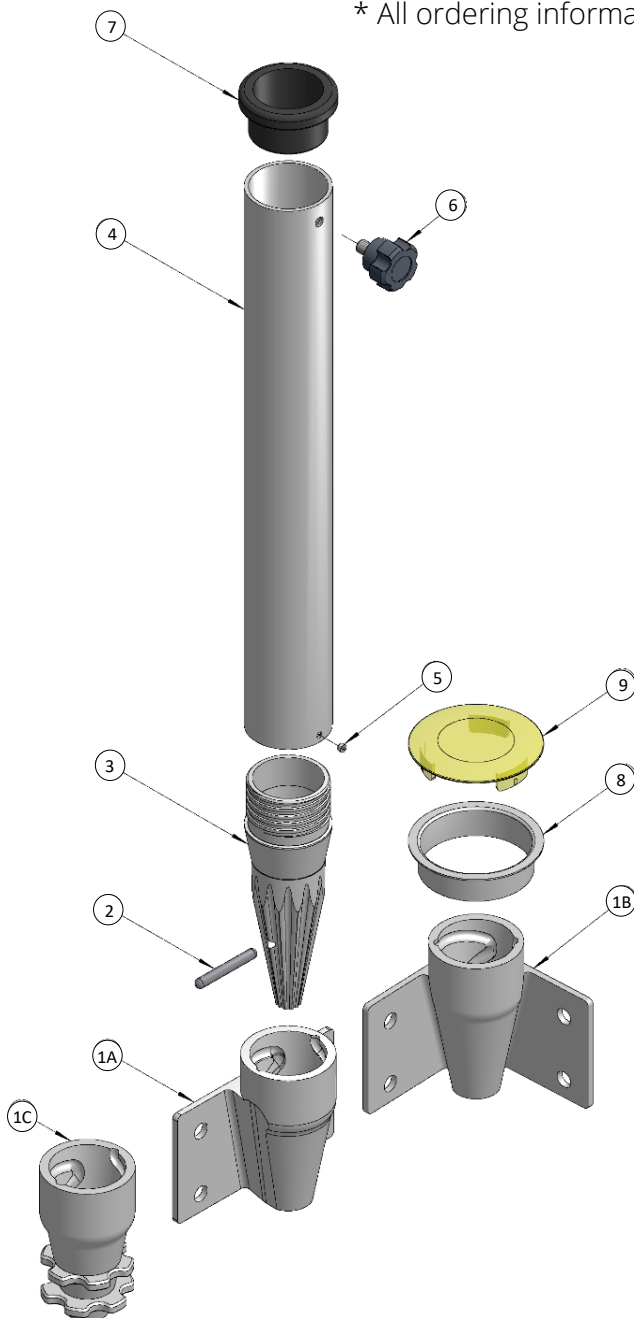
Price List 2022

Our price list below is based on purchasing kitted items together. Any replacement parts may be purchased individually by contacting us at sales@deckumbs.com

Complete Kit	CAD	USD
Item # 1 – 9 (one base)	\$215.00	\$164.99

Smaller Kits	CAD	USD
Item # 1, 8, 9	\$90.00	\$65.99
Item # 2 – 7	\$140.00	\$104.99

* All ordering information is based on the item numbering system below.



PARTS LIST		
Item #	Description	Material
1	Base 1A (Standard)	Stainless Steel
	Base 1B (Corner)	Stainless Steel
	Base 1C (Concrete)	Stainless Steel
2	Pin	Stainless Steel
3	Holder	Stainless Steel
4	Extender	Stainless Steel
5	Set Screw	Stainless Steel
6	Knob	Plastic / SS
7	Insert	Silicone
8	Ring	Stainless Steel
9	Cover	Plastic

Solar LED Pricing	CAD	USD
Single Unit	\$22.00 ea.	\$15.00 ea.
3+ Units	\$15.00 ea.	\$10.59 ea.